

AUDIO EQUIPMENT AND TELEMATICS



EMERGENCY CALL



ASSISTANCE CALL



1. Engine not running
 - Short press: on/off.
 - Long press: CD pause, mute for the radio.
- Engine running
 - Short press: CD pause, mute for the radio.
 - Long press: reinitialisation of the system.
2. Volume adjustment (each source is independent, including navigation messages and alerts).
3. Access to the "Radio" Menu. Display the list of stations.
4. Access to the "Music" Menu. Display the tracks.
5. Access to the "SETUP" Menu.
 - Long press: access to the GPS coverage and the demonstration mode.



1. On/Off and volume adjustment.
2. CD eject.
3. Selection of the display on the screen from the modes: Audio (AUDIO), Vehicle Diagnostics and Telephone (TEL) functions.
4. Selection of the source: radio, audio CD/MP3 CD, CD changer, USB, Jack connection, Streaming.
5. Selection of the FM1, FM2, FMast and AM wavebands.



1. On/Off and Volume adjustment.
2. Selection of the source: radio, jukebox, CD and auxiliary (AUX, if activated on the Configuration menu). Long press: CD copy to hard disk.
3. Audio option adjustments: front/rear, left/right balance, loudness, sound ambiances.
4. Display the list of local radio stations, of the tracks on the CD or of the MP3/USB/Jukebox directories. Long press: update the local radio stations.
5. Automatic search for a lower/higher frequency. Selection of the previous/next CD, MP3, USB or Jukebox track. Long press: fast forward and backward play.
6. Selection of wavebands FM1, FM2, FMast, AM.



OPENING THE BONNET

From inside:

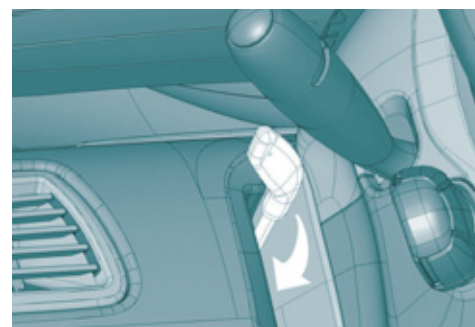
- lift the cover located at the left foot of the driver's seat.
- pull the control upwards.

From outside:

- lift the catch and raise the bonnet.



READY TO SET OFF CITROËN C8



STEERING WHEEL HEIGHT AND DEPTH ADJUSTMENT

When the vehicle is stationary, unlock the steering wheel by lowering the lever.

Adjust the height and depth of the steering wheel, then lock by pushing the lever fully upwards.

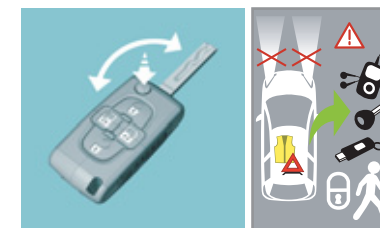


ELECTRIC WINDOWS

1. Driver's electric window switch.
2. Passenger's electric window switch.
3. Rear right electric window switch.
4. Rear left electric window switch.
5. Deactivating the rear electric window switches.

DOOR MIRROR ADJUSTMENT

- A. Selecting the mirror.
- B. Adjusting the position of the mirror.
- C. De-selecting the mirror.
- D. Folding/Unfolding.



REMOTE CONTROL



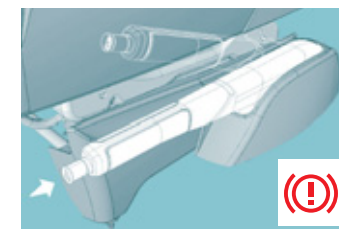
Normal locking



Unlocking



Opening/Closing the electric sliding side doors



PARKING BRAKE

Applying

- ☞ Pull the parking brake lever fully up to immobilise your vehicle.

Releasing

- ☞ Pull the parking brake lever gently, press the release button then lower the lever fully.

FILLING THE FUEL TANK

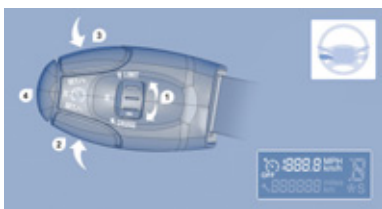


- Open the fuel filler flap.
- Insert the key then turn it to the left.
- Remove the cap and attach it to the clip located on the inside of the flap.

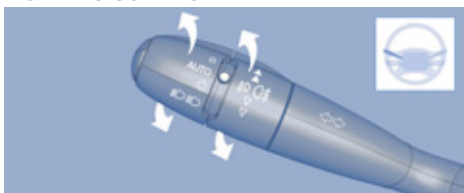
AUTOMATIC GEARBOX



- P.** Park
 - R.** Reverse
 - N.** Neutral
 - D.** Drive (Automatic driving)
 - Select position **P** or **N**.
 - Start the engine.
 - Select position **R**, **D** or **M**.
 - Gradually release the brake pedal.
- The vehicle moves off immediately.



LIGHTING CONTROL



- Lights off
- AUTO** Automatic lights
If your vehicle is fitted with a brightness sensor.
- Side lights
- Dipped beam (green)
Main beam (blue)
- Front fog lights (green, 1st rotation of the ring forwards).
- Front fog lights (green) and rear fog lights (amber, 2nd rotation of the ring forwards).

MANUAL GEARBOX



Reverse gear (6-speed)

Raise the collar under the gear knob to engage reverse gear.
Never engage reverse gear before the vehicle is completely stationary.
The lever should be moved slowly to reduce the noise on engaging reverse gear.

SPEED LIMITER "LIMIT"

1. Selecting/Switching off speed limiter mode.
2. Decrease the programmed value.
3. Increase the programmed value.
4. Speed limiter on/off.

CRUISE CONTROL "CRUISE"

1. Selecting/Switching off cruise control mode.
2. Decrease the programmed value.
3. Increase the programmed value.
4. Cruise control Off/Resume.

WINDSCREEN WIPER STALK



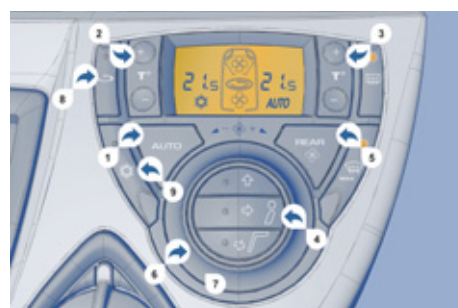
- 2 Fast wipe (heavy rain).
- 1 Normal wipe (moderate rain).
- l Intermittent wipe.
- 0 Off.
- ↓ Single wipe (press downwards).

Vehicle fitted with the automatic windscreen wipers control

Rear windscreen wiper
Turn the ring to the first notch. The wiping speed is inversely proportional to the speed of the vehicle.

Rear windscreen wash
Turn the ring past the first notch: the windscreen wash then the windscreen wiper operate for a fixed time.

AUTOMATIC AIR CONDITIONING WITH SEPARATE SETTINGS



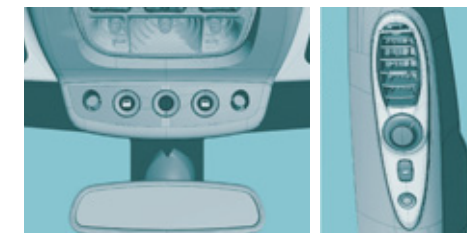
- 1 - AUTO mode
- 2 - Driver's temperature adjustment
- 3 - Passenger's temperature adjustment
- 4 - Adjustment of the air distribution
- 5 - Adjustment of the rear ventilation ("REAR" version)
- 6 - Adjustment of the air flow
- 7 - Switching the system off
- 8 - Intake of exterior air/Recirculation of interior air
- 9 - Air conditioning On/Off

SUNROOFS



To partially open the roof: press and hold part **A** of the control.
To open the roof completely: press part **A** of the control briefly.
To close it completely: press part **B** of the control briefly to slide it, then press the control again continuously to close it completely.

ELECTRIC SLIDING SIDE DOORS



Opening/Closing from the front

Press the corresponding control.
An audible signal accompanies the opening and closing of the door.

Opening/Closing from row 2

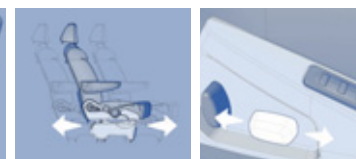
Press the corresponding control.

FRONT SEAT ADJUSTMENT

Manual adjustment



Electric adjustment



Forwards-backwards

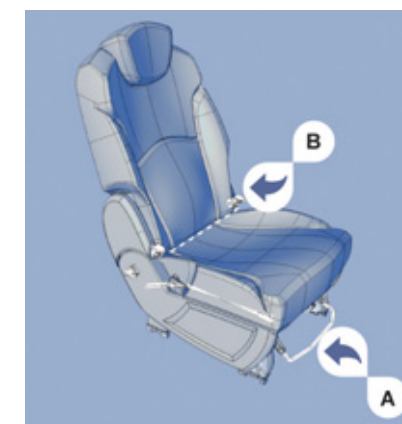


Height



Seat back angle

REAR SIDE SEATS

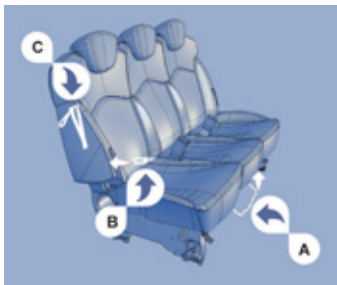


Forwards/backwards adjustment

Lift bar **A** and slide the seat forwards or backwards.

Adjusting the angle of the seat back

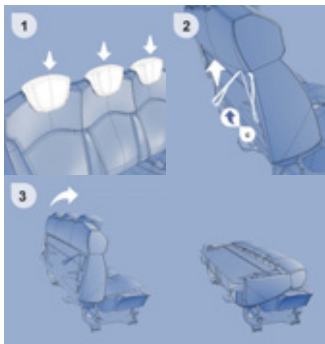
Push lever **B** upwards and adjust the angle as required.
Release the lever to lock.



REAR BENCH SEAT

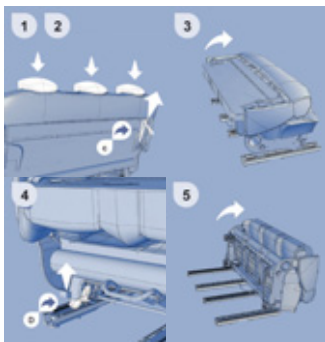
Forwards/backwards adjustment

From the seat cushion, lift bar **A** and slide the seat towards the front or the rear.



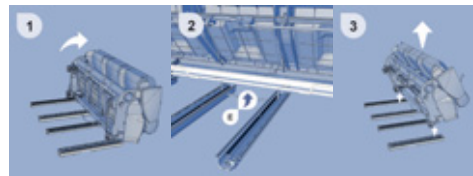
Seat back folded position

1. Place the head restraints in the low position.
2. Pull the strap **C** upwards, from the tailgate.
3. Tilt the seat back on the seat cushion.



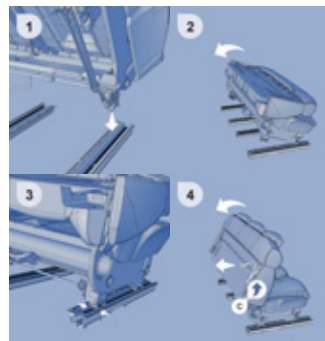
Vertical position of the bench seat

1. Place the head restraints in the low position.
2. Pull the strap **C** upwards, from the tailgate.
3. Fold the seat back onto the seat cushion.
4. Pull the lever **D** to unlock the rear anchorages.
5. Place the seat in the vertical "folded" position.



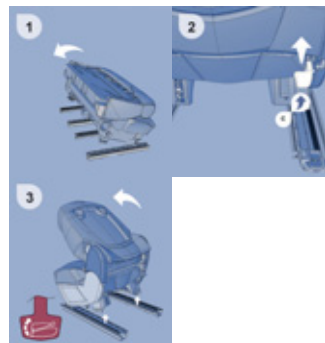
Removing the bench seat

1. Fold the seat to the vertical position.
2. Grasp the two bars **E** underneath the seat.
3. The front anchorages unlock.



Refitting the bench seat

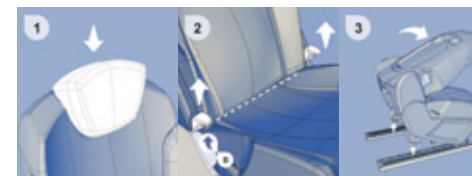
1. Position the front anchorages at the front stop of the runners.
2. Tilt the folded seat rearwards.
3. The rear anchorages then lock.
4. Unlock the seat back and lift it using the strap **C**.



Exit from row 3

1. Place the head restraint in the low position.
2. Pull control **C**.
3. Guide the tilting of the seat back forwards until the rear anchorages are unlocked.

REAR SIDE SEATS



Handling the side seat

Access to row 3

1. Place the head restraint in the low position.
2. Push lever **B** upwards as far as possible.
3. Fold the seat back onto the seat cushion and guide the tilting of the seat back forwards until the rear anchorages are unlocked.



Removing the side seat

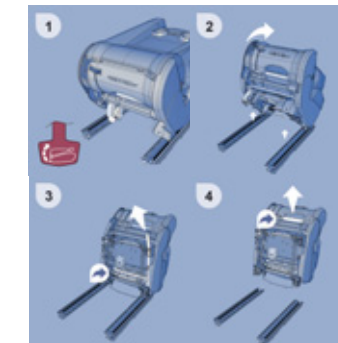
1. Tilt the seat back forwards to detach the rear anchorages.
2. Grab the red strap which appears and pull it upwards, the front anchorages unlock.
3. The strap, like the handle, enables you to remove the seat.



Refitting the side seat

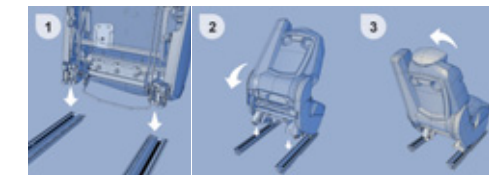
1. Place the front anchorages at the front stop in the slides. Support the strap firmly for easier positioning of the seat.
2. Tilt the folded seat towards the rear. The rear anchorages lock.
3. Raise the seat back.
4. Slide the seat.

ROW 2 CENTRE SEAT



Removing the centre seat

1. Place the seat in the "low table" position.
2. Using the control which you pull, tilt the seat back forwards so releasing the rear anchorages from the slides.
3. Grab the red strap which appears and pull it upwards, the front anchorages unlock.
4. The strap, like the handle, enables you to remove the seat.



Refitting the centre seat

1. Place the front anchorages at the front stop in the slides. Support the strap firmly for easier positioning of the seat.
2. Tilt the folded seat towards the rear. The rear anchorages lock.
3. Raise the seat back and slide the seat.